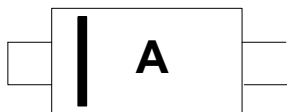


Features

- ◆ Fast switching devices
- ◆ SOD523 Micro SMD package
- ◆ RoHS compliant / Green EMC
- ◆ Matte Tin (Sn) Lead finish
- ◆ Cathode Band / Device marking
- ◆ Surface Mount Package Ideally Suited for Automatic Insertion
- ◆ For General Purpose Switching Applications
- ◆ High Conductance

Marking Information



A = Device Marking Code
Bar denotes Cathode

Absolute Maximum Ratings ($T_A=25^\circ\text{C}$ unless otherwise specified)

Symbol	Parameter	Value	Units
VR	DC Reverse Voltage	80	V
V_{RM}	Peak Reverse Voltage	90	V
I_{FM}	Forward Continuous Current	225	mA
I_O	Average Rectified Output Current	100	mA
I_{surge}	Surge Current(1s)	500	mA
P_{TOT}	Total Power Dissipation	150	mW
T_J	Junction Temperature	150	$^\circ\text{C}$
T_{STG}	Storage Temperature	-55 to +150	$^\circ\text{C}$

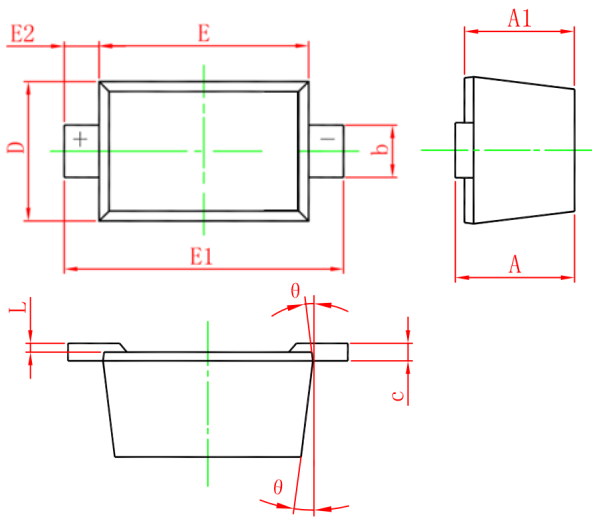
Electrical Characteristics ($T_A=25^\circ\text{C}$ unless otherwise specified)

Symbol	Parameter	Conditions	Min	Max	Units
V_F	Forward Voltage	$I_F = 100\text{mA}$ (25°C)		1.2	V
I_R	Reverse current	$V_R = 80\text{V}$ (25°C)		0.1	μA
C_T	Capacitance	$V_R = 0.5\text{V}$, $f = 1\text{MHz}$		3.0	pF
t_{rr}	Reverse Recovery Time	$I_F = I_R = 10\text{mA}$, $I_{RR} = 1\text{mA}$, $R_L = 100\Omega$		4	ns

Ordering Information

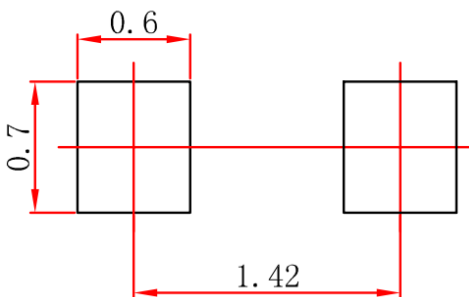
Part Number	Marking	Packaging	Reel Size
1SS400	A	8000/Tape & Reel	7 inch

SOD-523 Package Outline Drawing



SYM	DIMENSIONS					
	MILLIMETERS			INCHES		
	MIN	NOM	MAX	MIN	NOM	MAX
A	0.51	--	0.77	0.020	--	0.031
A1	0.50	--	0.70	0.020	--	0.028
b	0.25	--	0.35	0.010	--	0.014
c	0.08	--	0.15	0.003	--	0.006
D	0.75	--	0.85	0.030	--	0.033
E	1.10	--	1.30	0.043	--	0.051
E1	1.50	--	1.70	0.059		0.067
E2	0.20REF			0.008REF		
L	0.01	--	0.07	0.001	--	0.003
Θ	7° REF			7° REF		

Suggested Land Pattern



Unit : mm

Contact Information

Changzhou D-first Electronics CO.,Ltd.

www.first-electronic.com

Email: xhf@first-electronic.cn

Phone: +86 (0519) -8817 1671